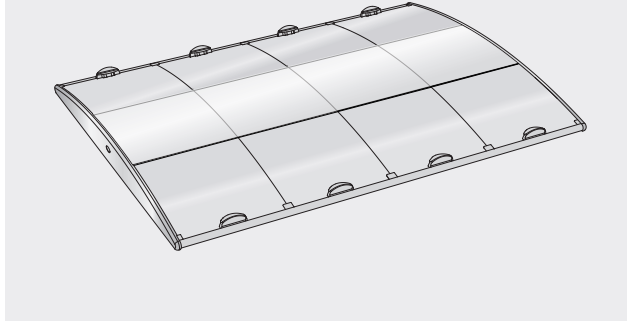
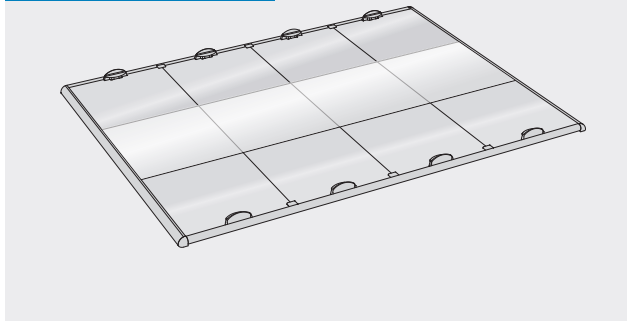


## USER GUIDE | KEEP COOL®

KEEP COOL® Curve



KEEP COOL® Plane



### DISCLAIMER – WARNING !\

READ THIS DOCUMENT BEFORE USING THE PRODUCT. IMPROPER USE OF THE PRODUCTS CAN CAUSE DAMAGE TO EQUIPMENT OR PROPERTY, SERIOUS PERSONAL INJURY, OR DEATH.

THE SPECIFICATIONS AND INFORMATION REGARDING THE PRODUCTS IN THIS DOCUMENT ARE SUBJECT TO CHANGE WITHOUT NOTICE. ALL STATEMENTS, INFORMATION, AND RECOMMENDATIONS IN THIS DOCUMENT ARE BELIEVED TO BE ACCURATE BUT ARE PRESENTED WITHOUT WARRANTY OF ANY KIND, EXPRESS OR IMPLIED. USERS MUST TAKE FULL RESPONSIBILITY FOR THEIR APPLICATION OF ANY PRODUCTS.

THE LIMITED WARRANTY FOR THE PRODUCTS ARE SET FORTH IN THE TERMS OF SALES AND DELIVERY AND ARE INCORPORATED HEREIN BY THIS REFERENCE. THIS USER GUIDE IS PROVIDED "AS IS" WITHOUT ANY REPRESENTATIONS OR WARRANTIES, EXPRESS OR IMPLIED.

IN NO EVENT SHALL REHAU-BEHR A/S BE LIABLE FOR ANY ECONOMIC LOSS OR LOSS OF PROFIT, OR INDIRECT, SPECIAL, CONSEQUENTIAL, OR INCIDENTAL DAMAGES OR LOSSES OR DAMAGES ARISING OUT OF IMPROPER USAGE OR INSTALLATION OR ADJUSTMENT, NEGLIGENCE, ACCIDENT OR FAILURE TO CLEAN AND MAINTAIN PRODUCT AS SET FORTH IN THE USER GUIDE AND/OR TECHNICAL ADJUSTMENT INSTRUCTIONS, EVEN IF REHAU-BEHR A/S HAS BEEN EXPRESSLY ADVISED OF THE POSSIBILITY OF SUCH DAMAGES.



Thank you for choosing a quality product from REHAU-BEHR!  
This User Guide covers all KEEP COOL® products.



**Before using the product, please continue reading the instructions covered in this User Guide and save it for future reference.**

## 1. PRODUCT INFORMATION

- 1.1. All products from REHAU-BEHR A/S are made of high quality materials and excellent craftsmanship and are safe to use according to European Legislation.
- 1.2. The KEEP COOL® Covers are intended to be used as covers for commercial horizontal refrigerators and freezers in public sales and display areas.
- 1.3. The KEEP COOL® Covers are designed for air conditioned environments where temperature is maintained below 23,9°C and humidity below 55% R.H.
- 1.4. Works with coolers ( $\geq 0^{\circ}\text{C}$ ) and freezers ( $\geq -24^{\circ}\text{C}$ ).
- 1.5. A technical adjustment of the freezer is required after installation of glass covers on freezer units to prevent condensation, save energy and ensure maximum service life.
- 1.6. Plastic components are RoHS compliant.
- 1.7. Glass panes are made from safety glass, EN 12150 / ANSI Z91.1 2010.

## 2. OPERATION

- 2.1. Simply push or pull the handle to open or close the KEEP COOL® Covers.
- 2.2. During restocking, open the cover fully and load the goods, be careful not to scratch the glass.
- 2.3. The load limit of the commercial refrigerator must be respected after installation of the KEEP COOL® Covers.

## 3. CARE AND CLEANING

- 3.1. Clean glass and sliding tracks regularly using a soft microfiber cloth and a mild cleaning agent. (i.e. window cleanser).
- 3.2. Do not use harsh or abrasive detergents (i.e. solvent, acidic, ammoniac, chloric or oil based).
- 3.3. Do not use steam or high pressure water.
- 3.4. Aluminum parts can be polished with a vinyl or car wax.
- 3.5. Moving parts and glass panes must be inspected regularly for functionality and damages. If any damage is found, the Cover must be taken out of service.
- 3.6. Repairs and replacement must be conducted by professionals. Spare parts and guidance are available upon request.

#### 4. TROUBLESHOOTING

- 4.1. If glass steam up or water condensates on top of the glass, do the following:
  - 4.1.1. For freezer cabinets, verify that the air flow velocity is below 0,3-0,5 m/sec. and that the temperature is above -24°C. If this is not the case, conduct a technical adjustment of the freezer.
  - 4.1.2. Make sure the ambient climate is below 23,9°C and that humidity is below 55% R.H. If this is not the case, condensation cannot be avoided. REHAU-BEHR recommends air conditioned environments for best performance.
- 4.2. In case of unresolved problems, the lids must be taken out of service and REHAU-BEHR A/S contacted.

#### 5. END OF LIFE AND DISPOSAL

- 5.1. The KEEP COOL® Covers have an expected lifetime of 300.000 openings or 10 years.
- 5.2. When disassembling the KEEP COOL® Covers, all glass should be removed and disposed of first.
- 5.3. The KEEP COOL® Covers are free from dangerous substances (RoHS), and may be disposed of in regular way following local legislation.
- 5.4. Be Safe! REHAU-BEHR A/S recommends wearing safety gloves and shoes.



**Do not place any items, boxes, baskets or stand on top of the KEEP COOL® Covers. It will cause damage beyond repair and make the product unsafe!**